

Digital TV Demodulator for ATSC

MN88436



■ Overview

MN88436 is demodulator LSI for terrestrial and cable broadcasts. It supports the broadcast specifications of North America, performing demodulation and error correction and outputting a transport stream (TS).

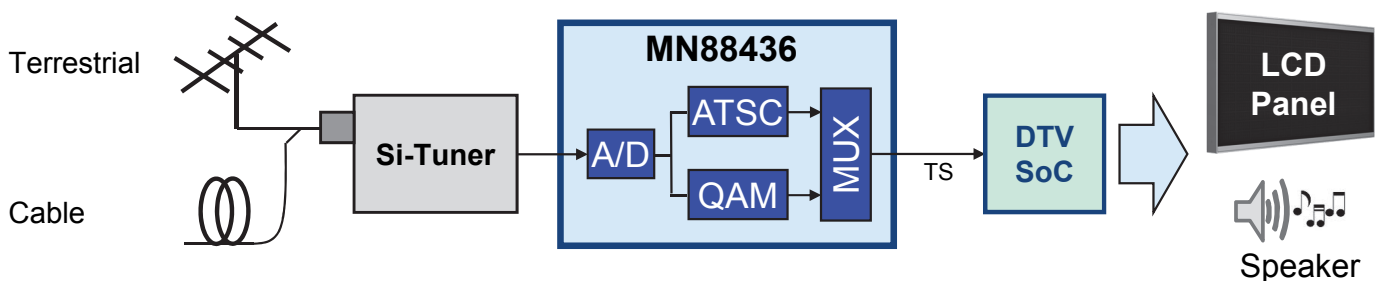
Digital terrestrial broadcasts is compliant with ATSC (Advanced Television Systems Committee) specifications, and digital cable broadcasts is compliant with open cable specifications.

■ Features

- Reception of selected digital terrestrial (ATSC)
- Built-in ADC (A/D converter)
- Built-in I²C bus-compliant CPU interface circuit and tuner control circuit

■ Applications

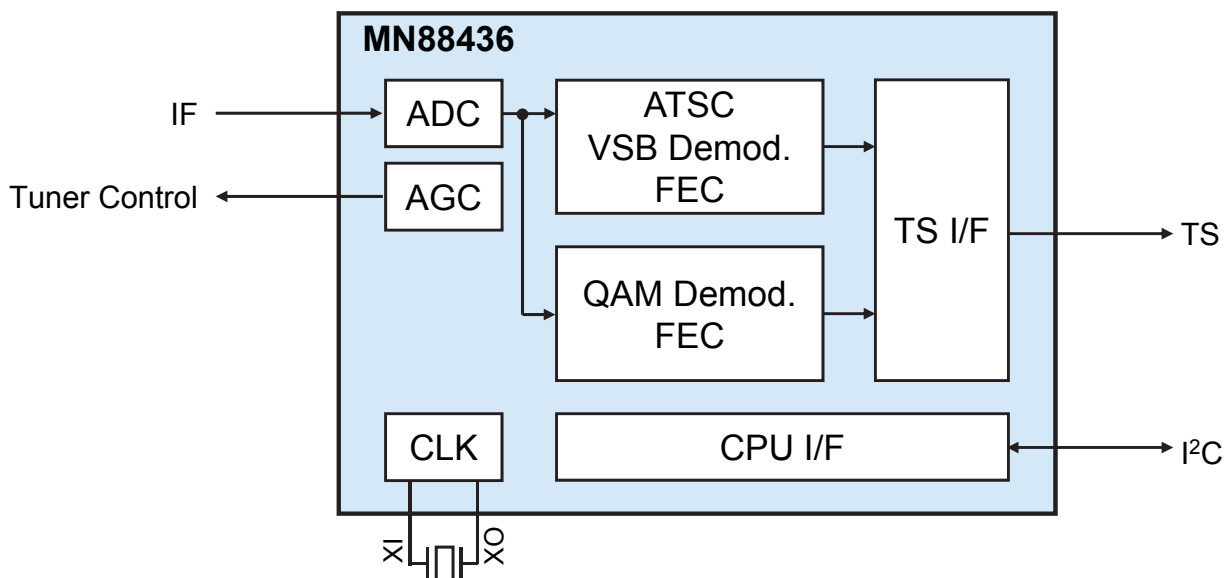
(Digital terrestrial and digital cable reception system in North America)



■ Specifications

Function		Specifications
Package		HQFP 48-pin Size: 7 mm x 7 mm Lead pitch: 0.5 mm
Supply Voltage	For external	3.3V
	For Internal	1.2V
Input		Low-IF / High-IF
Output		TS Serial / Parallel
CPU interface		I ² C bus
ATSC	Modulation scheme	8VSB
	Data rate	19.39 Mbps (8VSB)
	Roll off rate	11.5 %
	Forward error correction	Trellis decoding, Reed-Solomon decoding, De-interleaving, De-randomizer
QAM	Modulation scheme	256QAM, 64QAM
	Data rate	38.81 Mbps / 26.97 Mbps (256QAM / 64QAM)
	Roll off rate	12 % / 18 % (256QAM / 64QAM)
	Forward error correction	Trellis decoding, Sink trailer, De-randomizer, De-interleaving, Reed-Solomon decoding, MPEG framing (ITU-T J.83 Annex B)

■ Block Diagram



The Products and product specifications described in this document are subject to change without notice for modification and/or improvement. At the final stage of your design, purchasing, or use of the products, therefore, ask for the most up-to-date Product Standards in advance to make sure that the latest specifications satisfy your requirements. All company names, brand names and trademarks herein are property of their respective owners.

Copyright 2015 Socionext Inc.
AD04-00072-1E October 2015
Edited : Visual System Business Unit

Socionext Inc.

Nomura Shin-Yokohama Bldg.,
2-10-23 Shin-Yokohama,
Kohoku-ku, Yokohama, Kanagawa, 222-0033, Japan
Tel. +81-45-568-1015
<http://socionext.com>